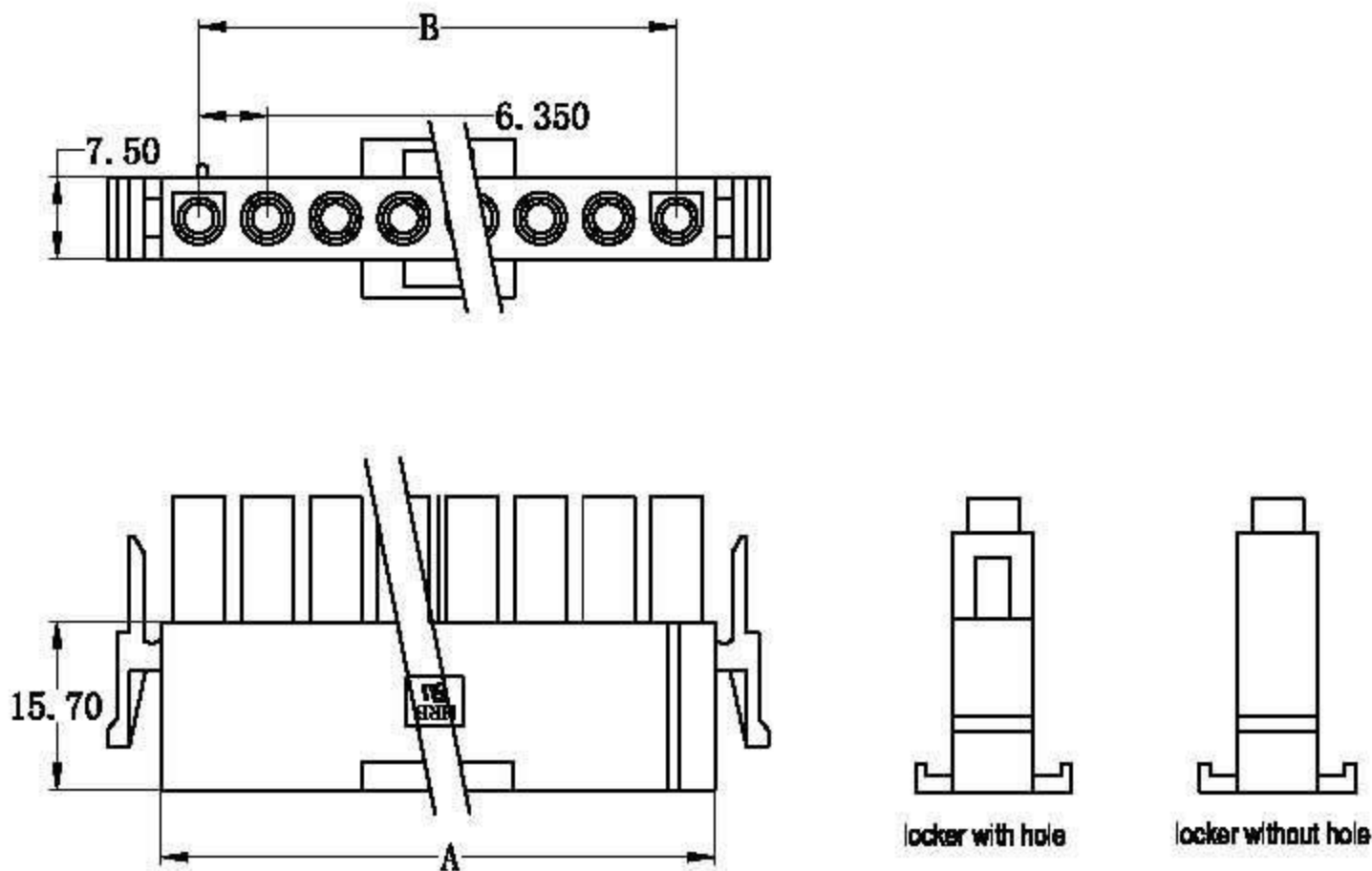
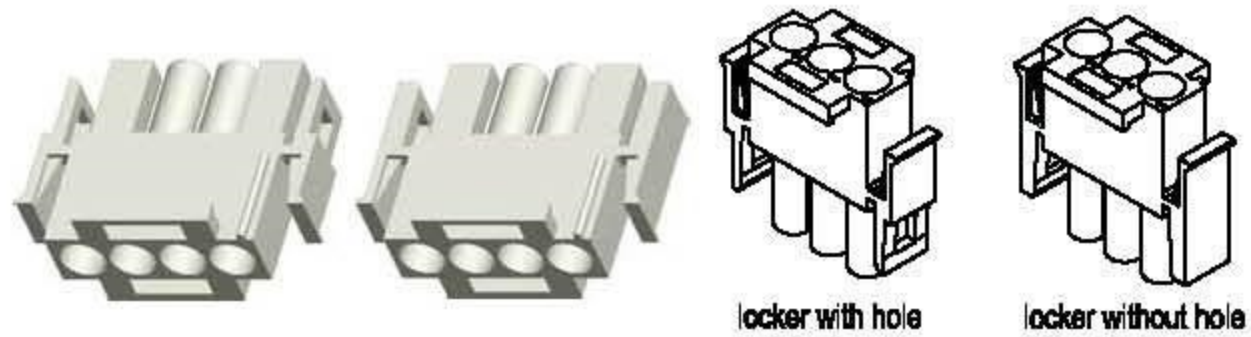


6.35mm(.250") Wire To Wire And Wire To Board Connector



SPECIFICATIONS:

- Current Rating:15AAC,DC
- Voltage Rating:600V AC,DC
- Operating Temperature:V2:-25℃~+85℃
V0:-40℃~+135℃
- Contact Resistance:10mΩ max.
- Insulation Resistance:1000MΩ Min.
- Withstanding Voltage:5000V AC/minute
- Material:Nylon66 UL94V-2 /UL94V-0
- UL File No:E304945
- Terminal In Housing Retention Force Requirement:8.0kg (Min.)
- GWT:750℃ IEC-60335-1



Ordering Information And Dimensions

Part NO.				Circuits	Dimensions	
TYP UL94V-2/locker with hole	TYP UL94V-2/locker without hole	TYP UL94V-0/locker with hole	TYP UL94V-0/locker without hole		Dim:A	Dim:B
P9848-1x2-A-H-B-A/B	P9848-1x2-A-A-B-A/B	P9848-1x2-W-H-A-A/B	P9848-1x2-W-A-A-A/B	2	13.80	6.35
P9848-1x3-A-H-B-A/B	P9848-1x3-A-A-B-A/B	P9848-1x3-W-H-A-A/B	P9848-1x3-W-A-A-A/B	3	20.25	12.70
P9848-1x4-A-H-B-A/B	P9848-1x4-A-A-B-A/B	P9848-1x4-W-H-A-A/B	P9848-1x4-W-A-A-A/B	4	26.60	19.05
P9848-1x5-A-H-B-A/B	P9848-1x5-A-A-B-A/B	P9848-1x5-W-H-A-A/B	P9848-1x5-W-A-A-A/B	5	32.95	25.20
P9848-1x6-A-H-B-A/B	P9848-1x6-A-A-B-A/B	P9848-1x6-W-H-A-A/B	P9848-1x6-W-A-A-A/B	6	39.40	31.75
P9848-1x7-A-H-B-A/B	P9848-1x7-A-A-B-A/B	P9848-1x7-W-H-A-A/B	P9848-1x7-W-A-A-A/B	7	45.70	38.10
P9848-1x8-A-H-B-A/B	P9848-1x8-A-A-B-A/B	P9848-1x8-W-H-A-A/B	P9848-1x8-W-A-A-A/B	8	52.00	44.45

